

# Data Sheet

The Gen II WireFree Interface OI-9850



## DESCRIPTION

Engineered to accommodate the time-tested WireFree product line of Otis Instruments, Inc., the Interface OI-WF985 is a 255 channel receiver that works collectively with Otis Gen I and Gen II WireFree Sensor Assemblies and a PLC, PC or other compatible Monitor.

The OI-9850 features a 128x64 graphical LCD with green backlight. The device operates with 120/240 Volts AC or 12-35 Volts DC (250mA) power-in, features RS-485 and RS-232 RTU Modbus Output, and offers an optional 4-20mA output.

With its unique channel-monitoring capabilities, the Interface becomes a reliable reference for the user to turn to for prompt updates being sent from any of the 255 Gen I or Gen II WireFree Sensor Assemblies--a true timesaver that puts safety first!

## FEATURES

- RS-485, RS-232, Virtual COM port over USB RTU Modbus Output
- Optional 4-20mA Output
- Capable of communicating with up to 255 WireFree Sensor Assemblies
- Built-in web server that displays real-time sensor readings
- AC or DC power-in option

## PRODUCT PHOTO



## SPECIFICATIONS

|                           |   |
|---------------------------|---|
| <b>Operating Voltage:</b> | 12-35 Volts DC; 110-240 Volts AC  |
| <b>Radio Options:</b>     | Up to two radios: <ul style="list-style-type: none"><li>• 900 MHz (Legacy Option), 100mW</li><li>• 2.4 GHz ISM, 100mW, 3 miles LOS</li><li>• 900 MHz (Gen II)</li></ul> |
| <b>Output:</b>            | RS-485 and RS-232 RTU Modbus, 4-20mA (optional), Virtual COM port over USB, Website for displaying real-time values   |
| <b>Enclosure:</b>         | Stahlin 10x8x6; fiberglass with clear window  |
| <b>Certifications:</b>    | NEMA 4 (enclosure only)   |
| <b>Operating Temp.:</b>   | -20 to 60° C  |
| <b>Display:</b>           | 128x64 graphical LCD, transfective, sunlight readable, green LCD backlight  |
| <b>Fuses:</b>             | PTC (Automatic Reset)<br>Manufacturer Replace   |
| <b>Warranty:</b>          | One year (limited)  |

**Otis Instruments, Inc.**  
2200 E. Villa Maria Dr  
Bryan, TX 77802

**979.776.7700**

**Fax: 979.776.7719**

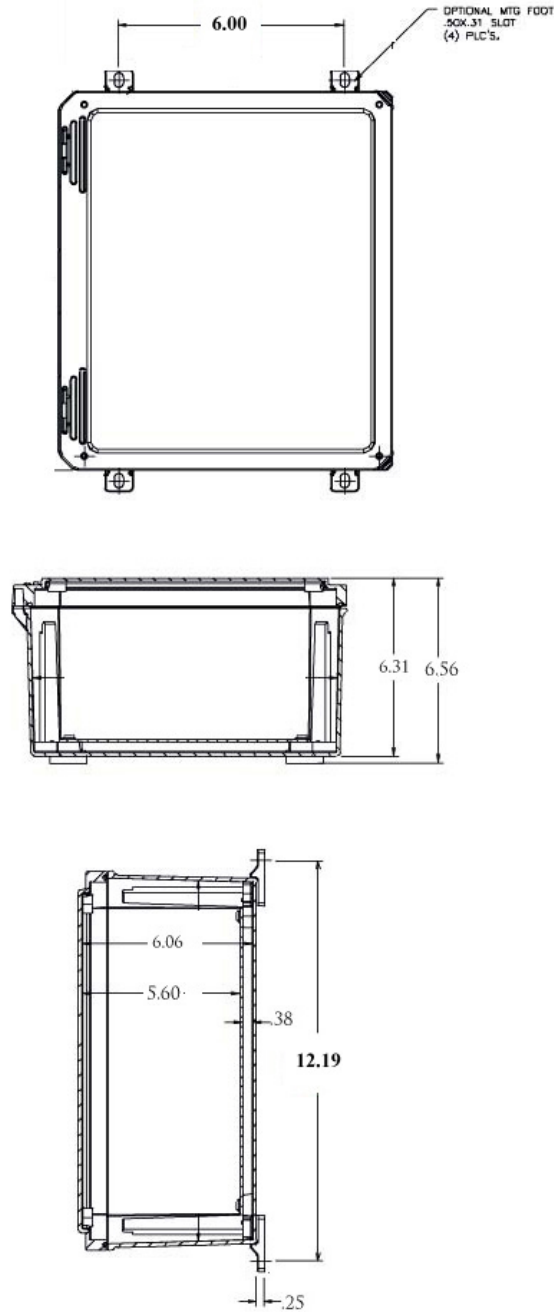
**info@otisinstruments.com**  
**www.otisinstruments.com**

# Data Sheet

The Gen II WireFree Interface OI-9850



## DIMENSIONS



Revision 1.1

**Otis Instruments, Inc.**  
**2200 E. Villa Maria Dr**  
**Bryan, TX 77802**  
**979.776.7700**  
**Fax: 979.776.7719**  
**info@otisinstruments.com**  
**www.otisinstruments.com**